



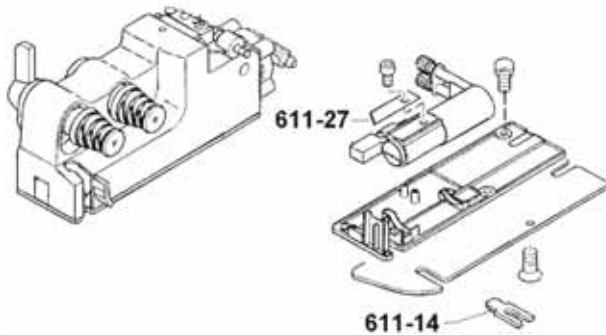
# New Product Information

EPIC ENTERPRISES, INC.



## Yarn Sensor Components

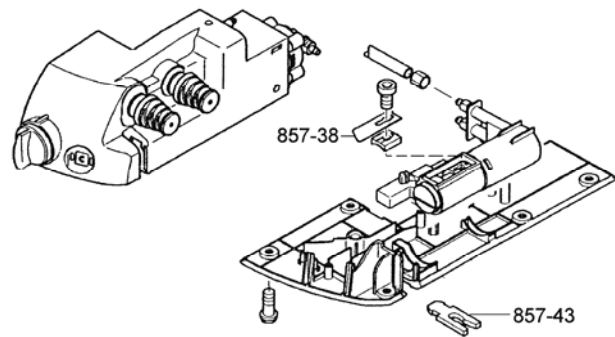
### VTS-05 BA5



**EE481689** Blade for Cutting and Clamping Device, 05, BA5/BA8

OEM Ref. 496901  
Positions 611-27, 857-38

### VTS-05 BA8



**EE481692** Eye, Ceramic, for Yarn Sensor, Cut & Clamp Unit, 05 BA5/BA8 (used with the Standard Pigtail)

OEM Ref. 592246  
Positions 611-14, 857-43

**EE481605** Eye, Ceramic, for Yarn Sensor, Cut & Clamp Unit, 05, BA5/BA8 (used with the Undulator Balloon Control Ring)

OEM Ref. 542142, 627760  
Positions 611-14, 857-43



**Epic Enterprises, Inc.**  
Textile Machinery Parts and Services

P O Box 979  
Southern Pines NC 28388-0979  
845 Valley View Road  
Southern Pines NC 28387

Phone: 910-692-5441 or  
Toll Free: 800-648-7273  
Fax: 910-692-4147 or  
Toll Free: 888-692-4147

Email: [epic@epicenterprises.com](mailto:epic@epicenterprises.com)  
Website: [www.epicenterprises.com](http://www.epicenterprises.com)

**Parts and Services  
you can rely on!**

Epic products are intended as replacements for worn or damaged parts in OEM products. OEM Part numbers in (parenthesis) indicate either 1) improved design 2) the part serves the same function as the OEM part, but may differ from the OEM design, 3) it is a component of an assembly where no OEM reference number is available, or 4) it is a repair service for the referenced part.

Parts with EE designations are manufactured by Epic and are not authorized by the original equipment manufacturers., ©Epic Enterprises, Inc., October 2009

EE is an Epic trademark designating Epic parts

Volkman is a trademark of Oerlikon Saurer